

Model 788

Current Transformer Window Diameter 4.00"

Application

Relaying and metering.

Frequency

50-400 Hz.

Insulation Level

0.6 kV, BIL 10 kV full wave.

Continuous Thermal Current Rating Factor

2.0 at 30 °C. amb., 1.5 at 55 °C. amb.

Secondary terminals are brass screws
No. 10-32 with one flatwasher and
lockwasher.

Approximate weight 20 lbs.



REGULATORY AGENCY APPROVALS



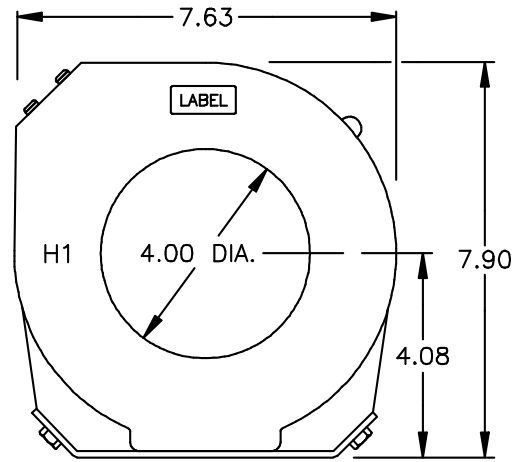
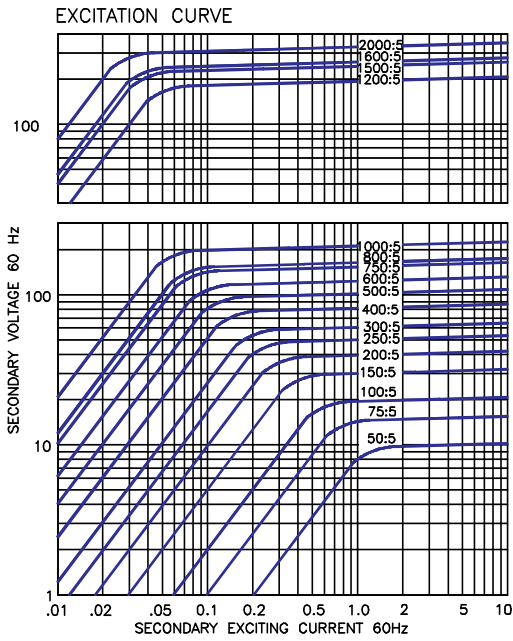
Manufactured to meet the requirements of ANSI/IEEE C57.13.
Classified by U.L. in accordance with IEC 44-1

Model 788

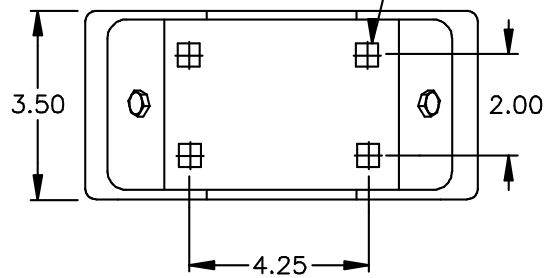
Catalog Number	Current Ratio	Relay Class	ANSI Metering Class at 60 Hz					Secondary Winding Resistance (Ω @ 75 °C)
			B0.1	B0.2	B0.5	B0.9	B1.8	
788-500	50:5	C10	4.8	4.8	—	—	—	0.017
788-750	75:5	C10	2.4	2.4	4.8	—	—	0.025
788-101	100:5	C10	1.2	2.4	4.8	4.8	—	0.035
788-151	150:5	C20	0.6	1.2	2.4	2.4	4.8	0.052
788-201	200:5	C20	0.6	0.6	1.2	2.4	2.4	0.070
788-251	250:5	C50	0.6	0.6	0.6	1.2	2.4	0.087
788-301	300:5	C50	0.3	0.3	0.6	1.2	1.2	0.104
788-401	400:5	C50	0.3	0.3	0.3	0.6	1.2	0.139
788-501	500:5	C100	0.3	0.3	0.3	0.3	0.6	0.174
788-601	600:5	C100	0.3	0.3	0.3	0.3	0.3	0.209
788-751	750:5	C100	0.3	0.3	0.3	0.3	0.3	0.329
788-801	800:5	C100	0.3	0.3	0.3	0.3	0.3	0.351
788-102	1,000:5	C200	0.3	0.3	0.3	0.3	0.3	0.438
788-122	1,200:5	C200	0.3	0.3	0.3	0.3	0.3	0.389
788-152	1,500:5	C200	0.3	0.3	0.3	0.3	0.3	0.487
788-162	1,600:5	C200	0.3	0.3	0.3	0.3	0.3	0.519
788-202	2,000:5	C200	0.3	0.3	0.3	0.3	0.3	0.814



Model 788



BASEPLATE HAS
(4) 0.47 SQUARE HOLES
FOR CAPTIVE NUTS



Grid-AIS-L4-ITL_Model_788-1367-2017_06-EN. © Copyright 2017. General Electric Company and Instrument Transformers LLC reserve the right to change specifications of described products at any time without notice and without obligation to notify any person of such changes.

